

BLACK HOLE/SPOT DOWNLIGHT/TILTABLE

Model: RR-DL3562



Feature:

- Compact size
- Semi Recessed with adjustable spot light
- Low UGR

Technical data:

- Light source COB or others
- LED Power (max) 7.2W (200mA, 36V)
- System Power (ref.) 9W (ref. only depends on the ECG)
- Lumen flux (typ.) 700lm
- Colour temperature 2700K, 3000K, 4000K
- Colour rendering index Ra \geq 90
- MacAdam Step 3
- Beam Angle 15D, 24D, 36D PMMA Lens
- Tilttable Yes
- Ingress protection IP21
- Operation temperature 0-40C
- Protection Class III
- LED Life time 50,000h L70B10
- Finishing White/Black
- Baffle finishing Black
- Construction Aluminum
- Installation Ceiling Recessed, spring type
- Dimension 48mm(OD)x90mm(H)/Cutout 92mm
- LED Driver Remote
- Trimless vesrion Yes, please contact us in detail

Electronic control gear

NON-DIM/Dimmable

IDP MP series

1-10V/0-10V/DALI

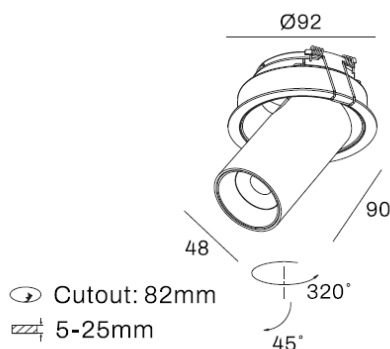
IDP SC series

Other brand is available upon request

*Use IDP multi-power LED Driver can trim down the output power according to actual application.

Light Distribution For 3000K wide 40.5°

h(m)	E(lx)	ø(m)
1	1247	ø0.74
2	311.6	ø1.48
3	138.5	ø2.21
4	77.91	ø2.95
5	49.86	ø3.69



****The specification is subject to change without note.****