

# LED LIGHTING

## CATALOGUE

VER. 01



RR-DL3292

RR-DL3291



RR-DL3249

RR-DL3196



RR-DL3564

## DOWNLIGHTS

### DOUBLE REFLECT

series is a range of product which has very low UGR and double reflector design. Colored baffles can create the decorative environment. They can use in more of hospitality area.

**Litesyn**  
*Your Luminaire craftsman*

**IDP Power Technology Ltd**

[www.idppowertech.com](http://www.idppowertech.com)  
email: [idppowertech@gmail.com](mailto:idppowertech@gmail.com)

## DOUBLE REFLECT/SPOT LIGHT/ANTI-GLARE

**Model: RR-DL3292**



### Feature:

- Compact Design with deep recessed
- Small cutout
- Very Low UGR

### Technical data:

- |                          |                                   |
|--------------------------|-----------------------------------|
| ▪ Light source           | COB or others                     |
| ▪ LED Power (max)        | 5.4W (150mA, 36V)                 |
| ▪ System Power (ref.)    | 7W (ref. only depends on the ECG) |
| ▪ Lumen flux (typ.)      | 400lm                             |
| ▪ Colour temperature     | 2700K, 3000K, 4000K               |
| ▪ Colour rendering index | Ra $\geq$ 90                      |
| ▪ MacAdam Step           | 3                                 |
| ▪ Beam Angle             | 22D, 40D PMMA Lens                |
| ▪ Tilttable              | No                                |
| ▪ Ingress protection     | IP21                              |
| ▪ Operation temperature  | 0-40C                             |
| ▪ Protection Class       | III                               |
| ▪ LED Life time          | 50,000h L70B10                    |
| ▪ Finishing              | White/Black                       |
| ▪ Baffle Finishing       | Plain White/Plain Black/ Chrome   |
| ▪ Construction           | Aluminum                          |
| ▪ Installation           | Ceiling Recessed, spring type     |
| ▪ Dimension              | 34mm(OD)x94mm(H)/Cutout 28mm      |
| ▪ LED Driver             | Remote                            |
| ▪ Trimless version       | No                                |

### Electronic control gear

NON-DIM/Dimmable

**IDP** MP series

1-10V/0-10V/DALI

**IDP** SC series

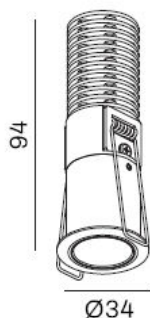
Other brand is available upon request

\*Use IDP multi-power LED Driver can trim down the output power according to actual application.

### Light Distribution For 3000K

spot 16.5°			medium 33.2°		
h(m)	E(lx)	ø(m)	h(m)	E(lx)	ø(m)
1	2645	ø0.29	1	1985	ø0.35
2	661.2	ø0.58	2	496.3	ø0.70
3	293.9	ø0.87	3	220.6	ø1.06
4	185.3	ø1.16	4	124.1	ø1.41
5	105.8	ø1.45	5	79.41	ø1.77

**\*\*The specification is subject to change without note.\*\***



⊕ Cutout: 28mm

⊕ 5-25mm

## DOUBLE REFLECT/SPOT LIGHT/WALL WASHER

**Model: RR-DL3291**



### Feature:

- Compact design with wall washer
- Small cutout
- Ver Low UGR

### Technical data:

▪ Light source	COB or others
▪ LED Power (max)	5.4W (150mA, 36V)
▪ System Power (ref.)	7W (ref. only depends on the ECG)
▪ Lumen flux (typ.)	350lm
▪ Colour temperature	2700K, 3000K, 4000K
▪ Colour rendering index	Ra≥90
▪ MacAdam Step	3
▪ Beam Angle	56D PMMA Lens
▪ Tilttable	Yes
▪ Ingress protection	IP21
▪ Operation temperature	0-40C
▪ Protection Class	III
▪ LED Life time	50,000h L70B10
▪ Finishing	White/Black
▪ Baffle Finishing	Plain White/Plain Black/ Chrome
▪ Construction	Aluminum
▪ Installation	Ceiling Recessed, spring type
▪ Dimension	34mm(OD)x83mm(H)/Cutout 28mm
▪ LED Driver	Remote
▪ Trimless version	No

### Electronic control gear

NON-DIM/Dimmable

**IDP** MP series

1-10V/0-10V/DALI

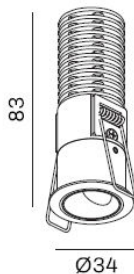
**IDP** SC series

Other brand is available upon request

\*Use IDP multi-power LED Driver can trim down the output power according to actual application.

### Light Distribution For 2700K wide 56°

h(m)	E(lx)	ø(m)
1	331.7	ø0.99
2	82.92	ø1.98
3	36.85	ø2.97
4	20.73	ø3.97
5	13.27	ø4.96



↻ Cutout: 28mm

≡ 5-25mm

**\*\*The specification is subject to change without note.\*\***

## DOUBLE REFLECT/SPOT LIGHT/TILTABLE

**Model: RR-DL3249**



⊕ Cutout: 50mm

⊕ 5-25mm



### Feature:

- Adjustable spot with mirror reflector
- Compact Design
- Low UGR

### Technical data:

- Light source COB or others
- LED Power (max) 5.4W (150mA, 36V)
- System Power (ref.) 7W (ref. only depends on the ECG)
- Lumen flux (typ.) 350lm
- Colour temperature 2700K, 3000K, 4000K
- Colour rendering index Ra $\geq$ 90
- MacAdam Step 3
- Beam Angle 22D, 40D PMMA Lens
- Tiltable Yes
- Ingress protection IP21
- Operation temperature 0-40C
- Protection Class III
- LED Life time 50,000h L70B10
- Finishing White/Black
- Baffle Finishing Plain White/Plain Black/ Chrome
- Construction Aluminum
- Installation Ceiling Recessed, spring type
- Dimension 57.5mm(OD)x60mm(H)/Cutout 50mm
- LED Driver Remote
- Trimless version No

### Electronic control gear

NON-DIM/Dimmable

**IDP** MP series

1-10V/0-10V/DALI

**IDP** SC series

Other brand is available upon request

\*Use IDP multi-power LED Driver can trim down the output power according to actual application.

### Light Distribution For 2700K wide 40°

h(m)	E(lx)	∅(m)
1	515.6	∅0.57
2	128.9	∅1.14
3	57.29	∅1.71
4	32.22	∅2.28
5	20.62	∅2.85

**\*\*The specification is subject to change without note.\*\***

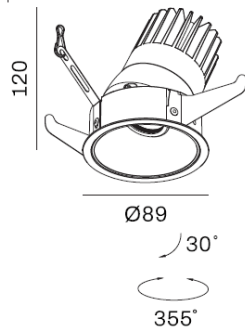
## DOUBLE REFLECT/SPOT LIGHT/TILTABLE

**Model: RR-DL3196**



⊕ Cutout: 82mm

⊕ 5-25mm



### Feature:

- Adjustable spot with mirror reflector
- Compact Design
- Low UGR

### Technical data:

- Light source COB or others
- LED Power (max) 12.6W (350mA, 36V)
- System Power (ref.) 15W (ref. only depends on the ECG)
- Lumen flux (typ.) 800lm
- Colour temperature 2700K, 3000K, 4000K
- Colour rendering index Ra $\geq$ 90
- MacAdam Step 3
- Beam Angle 17D, 24D, 36D Reflector
- Tilttable Yes
- Ingress protection IP21
- Operation temperature 0-40C
- Protection Class III
- LED Life time 50,000h L70B10
- Finishing White/Black
- Baffle Finishing Plain White/Plain Black/ Chrome
- Construction Aluminum
- Installation Ceiling Recessed, spring type
- Dimension 89mm(OD)x 120mm(H)/Cutout 82mm
- LED Driver Remote
- Trimless version Yes, please check with sale in detail

### Electronic control gear

NON-DIM/Dimmable

**IDP** MP series

1-10V/0-10V/DALI

**IDP** SC series

Other brand is available upon request

\*Use IDP multi-power LED Driver can trim down the output power according to actual application.

### Light Distribution For 3000K

medium 23.8°

wide 32.2°

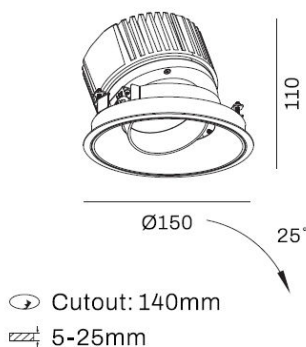
h(m)	E(lx)	ø(m)	h(m)	E(lx)	ø(m)
1	3772	ø0.42	1	2628	ø0.58
2	943.0	ø0.84	2	657.1	ø1.16
3	419.1	ø1.26	3	292.0	ø1.74
4	235.8	ø1.69	4	164.3	ø2.31
5	150.9	ø2.11	5	105.1	ø2.89

**\*\* Accessories (optional): Honeycomb Louvre, Diffuse glass (IP44)\*\***

**\*\*The specification is subject to change without note.\*\***

## DOUBLE REFLECT/SPOT DOWNLIGHT/TILTABLE

**Model: RR-DL3196**



### Feature:

- Adjustable spot with reflector
- Jumbo size with power up to 25W output power
- Low UGR

### Technical data:

- Light source COB or others
- LED Power (max) 25.2W (700mA, 36V)
- System Power (ref.) 30W (ref. only depends on the ECG)
- Lumen flux (typ.) 2650lm
- Colour temperature 2700K, 3000K, 4000K
- Colour rendering index  $Ra \geq 90$
- MacAdam Step 3
- Beam Angle 15D, 24D, 36D, 50D PMMA Lens
- Tiltable Yes
- Ingress protection IP21
- Operation temperature 0-40C
- Protection Class III
- LED Life time 50,000h L70B10
- Finishing White/Black
- Baffle Finishing Plain White/Plain Black/ Chrome
- Construction Aluminum
- Installation Ceiling Recessed, Screw Mount
- Dimension 150mm(OD)x110mm(H)/Cutout 140mm
- LED Driver Remote
- Trimless version No

### Electronic control gear

NON-DIM/Dimmable

**IDP** MP series

1-10V/0-10V/DALI

**IDP** SC series

Other brand is available upon request

\*Use IDP multi-power LED Driver can trim down the output power according to actual application.

### Light Distribution For 3000K

medium 40°			wide 50.5°		
h(m)	E(lx)	ø(m)	h(m)	E(lx)	ø(m)
1	3757	ø0.74	1	2421	ø0.95
2	939.3	ø1.47	2	605.3	ø1.90
3	417.5	ø2.21	3	269.0	ø2.86
4	234.8	ø2.95	4	151.3	ø3.81
5	150.3	ø3.69	5	96.85	ø4.77

\*\* Accessories (optional): Honeycomb Louvre \*\*

\*\*The specification is subject to change without note.\*\*