

# LED LIGHTING

## CATALOGUE

VER. 01



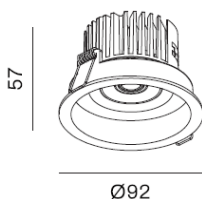
## DOWNLIGHTS

**SIMPLE** series is a range of product which has simple design with effective lighting solution. You can install the lighting fixture in anywhere which you want to create the inspiring workplace.

**Litesyn**  
Your Luminaire craftsman

## SIMPLE/SPOT LIGHT/FIXED

**Model: RR-DL3041**



⊕ Cutout: 83mm

⊕ 5-25mm

### Feature:

- Compact size
- Step in design
- IP54

### Technical data:

- Light source COB or others
- LED Power (max) 9W (250mA, 36V)
- System Power (ref.) 11W (ref. only depends on the ECG)
- Lumen flux (typ.) 650lm
- Colour temperature 2700K, 3000K, 4000K
- Colour rendering index Ra $\geq$ 90
- MacAdam Step 3
- Beam Angle 24D, 36D, 45D PMMA Lens
- Tilttable Yes
- Ingress protection IP54
- Operation temperature 0-40C
- Protection Class III
- LED Life time 50,000h L70B10
- Finishing White/Black
- Construction Aluminum
- Installation Ceiling Recessed, Spring type
- Dimension 92mm(OD)x57mm(H)/Cutout 83mm
- LED Driver Remote
- Trimless version No

### Electronic control gear

NON-DIM/Dimmable

**IDP** MP series

1-10V/0-10V/DALI

**IDP** SC series

Other brand is available upon request

\*Use IDP multi-power LED Driver can trim down the output power according to actual application.

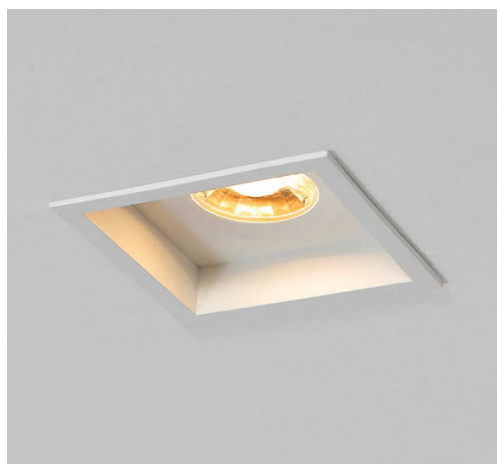
#### Light Distribution For 3000K

medium 36°			wide 47°		
h(m)	E(lx)	ø(m)	h(m)	E(lx)	ø(m)
1	1218	ø0.65	1	1399	ø0.86
2	304.6	ø1.30	2	349.7	ø1.73
3	135.4	ø1.95	3	155.4	ø2.60
4	76.15	ø2.60	4	78.44	ø3.47
5	48.74	ø3.25	5	55.96	ø4.34

**\*\*The specification is subject to change without note.\*\***

## SIMPLE/SPOT LIGHT/SQUARE/FIXED

**Model: SR-DL3042**



### Feature:

- Compact size
- Step in design
- Square Trim

### Technical data:

- Light source COB or others
- LED Power (max) 9W (250mA, 36V)
- System Power (ref.) 11W (ref. only depends on the ECG)
- Lumen flux (typ.) 650lm
- Colour temperature 2700K, 3000K, 4000K
- Colour rendering index  $Ra \geq 90$
- MacAdam Step 3
- Beam Angle 24D, 36D, 45D PMMA Lens
- Tilttable No
- Ingress protection IP54
- Operation temperature 0-40C
- Protection Class III
- LED Life time 50,000h L70B10
- Finishing White/Black
- Construction Aluminum
- Installation Ceiling Recessed, Spring type
- Dimension 91x91mm/Cutout 85x85mm
- LED Driver Remote
- Trimless version No

### Electronic control gear

NON-DIM/Dimmable

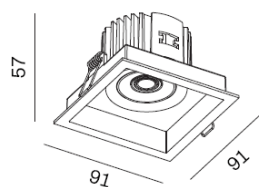
**IDP** MP series


1-10V/0-10V/DALI

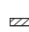
**IDP** SC series

Other brand is available upon request

\*Use IDP multi-power LED Driver can trim down the output power according to actual application.



 Cutout: 85x85mm

 5-25mm

### Light Distribution For 3000K

medium 36°

wide 47°

h(m)	E(lx)	ø(m)	h(m)	E(lx)	ø(m)
1	1218	ø0.65	1	1399	ø0.86
2	304.6	ø1.30	2	349.7	ø1.73
3	135.4	ø1.95	3	155.4	ø2.60
4	76.15	ø2.60	4	78.44	ø3.47
5	48.74	ø3.25	5	55.96	ø4.34

**\*\*The specification is subject to change without note.\*\***

## SIMPLE/SPOT LIGHT/TWIN HEADS/FIXED

**Model: SR-DL0043**



### Feature:

- Compact size
- Step in design
- Twin Head

### Technical data:

- Light source COB or others
- LED Power (max) 9W x 2 (250mA x 2, 36V)
- System Power (ref.) 11W x 2 (ref. only depends on the ECG)
- Lumen flux (typ.) 1300lm
- Colour temperature 2700K, 3000K, 4000K
- Colour rendering index Ra ≥ 90
- MacAdam Step 3
- Beam Angle 24D, 36D, 45D PMMA Lens
- Tilttable No
- Ingress protection IP54
- Operation temperature 0-40C
- Protection Class III
- LED Life time 50,000h L70B10
- Finishing White/Black
- Construction Aluminum
- Installation Ceiling Recessed, Spring type
- Dimension 170x91mm x 57mm(H)/Cutout 160x85mm
- LED Driver Remote
- Trimless version No

### Electronic control gear

NON-DIM/Dimmable

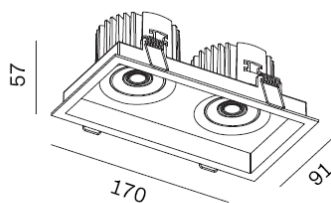
**IDP** MP series

1-10V/0-10V/DALI

**IDP** SC series

Other brand is available upon request

\*Use IDP multi-power LED Driver can trim down the output power according to actual application.



▤ Cutout: 160x85mm

▤ 5-25mm

### Light Distribution For 3000K

medium 20°

wide 36°

h(m)	E(lx)	ø(m)	h(m)	E(lx)	ø(m)
1	2906	ø0.63	1	1892	ø0.95
2	726.6	ø1.28	2	427.9	ø1.90
3	322.9	ø1.93	3	210.2	ø2.86
4	181.6	ø2.57	4	118.2	ø3.81
5	116.3	ø3.22	5	75.60	ø4.76

**\*\*The specification is subject to change without note.\*\***

## SIMPLE/SPOT LIGHT/GIMBLE

**Model: RR-DL3090**



### Feature:

- Compact size
- Gimble tilt 25 degree
- Low UGR

### Technical data:

- Light source COB or others
- LED Power (max) 7.2W (200mA, 36V)
- System Power (ref.) 9W (ref. only depends on the ECG)
- Lumen flux (typ.) 600lm
- Colour temperature 2700K, 3000K, 4000K
- Colour rendering index  $Ra \geq 90$
- MacAdam Step 3
- Beam Angle 24D, 36D, 45D PMMA Lens
- Tilttable Yes
- Ingress protection IP21
- Operation temperature 0-40C
- Protection Class III
- LED Life time 50,000h L70B10
- Finishing White/Black
- Construction Aluminum
- Installation Ceiling Recessed, Spring type
- Dimension 93mm(OD)x43mm(H)/Cutout 83mm
- LED Driver Remote
- Trimless version Yes, please contact us in detail

### Electronic control gear

NON-DIM/Dimmable

**IDP** MP series

1-10V/0-10V/DALI

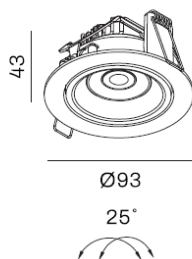
**IDP** SC series

Other brand is available upon request

\*Use IDP multi-power LED Driver can trim down the output power according to actual application.

### Light Distribution For 2700K wide 46°

h(m)	E(lx)	ø(m)
1	971.4	ø0.85
2	242.8	ø1.70
3	107.9	ø2.55
4	60.71	ø3.40
5	38.85	ø4.25



👁️ Cutout: 83mm

📏 5-25mm

**\*\*The specification is subject to change without note.\*\***

## SIMPLE/SPOT LIGHT/GIMBLE/ANTI-GLARE

**Model: RR-DL3202**



### Feature:

- Compact size
- Gimble tilt 25 degree
- Low UGR

### Technical data:

- Light source COB or others
- LED Power (max) 7.2W (200mA, 36V)
- System Power (ref.) 9W (ref. only depends on the ECG)
- Lumen flux (typ.) 600lm
- Colour temperature 2700K, 3000K, 4000K
- Colour rendering index Ra $\geq$ 90
- MacAdam Step 3
- Beam Angle 24D, 36D, 45D PMMA Lens
- Tilttable Yes
- Ingress protection IP21
- Operation temperature 0-40C
- Protection Class III
- LED Life time 50,000h L70B10
- Finishing White/Black
- Construction Aluminum
- Installation Ceiling Recessed, Spring type
- Dimension 92mm(OD)x62mm(H)/Cutout 83mm
- LED Driver Remote
- Trimless version No

### Electronic control gear

NON-DIM/Dimmable

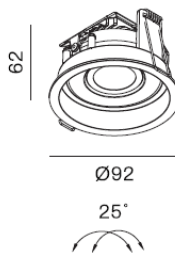
**IDP** MP series

1-10V/0-10V/DALI

**IDP** SC series

Other brand is available upon request

\*Use IDP multi-power LED Driver can trim down the output power according to actual application.



➔ Cutout: 83mm

▨ 5-25mm

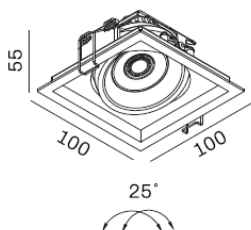
### Light Distribution For 2700K wide 46°

h(m)	E(lx)	ø(m)
1	971.4	ø0.85
2	242.8	ø1.70
3	107.9	ø2.55
4	60.71	ø3.40
5	38.85	ø4.25

**\*\*The specification is subject to change without note.\*\***

## SIMPLE/SPOT LIGHT/SQUARE/GIMBLE

**Model: RR-DL3166**



▤ Cutout: 90x90mm

▤ 5-25mm

### Feature:

- Compact size with step in design
- Gimble tilt 25 degree
- Low UGR

### Technical data:

- Light source COB or others
- LED Power (max) 7.2W (200mA, 36V)
- System Power (ref.) 9W (ref. only depends on the ECG)
- Lumen flux (typ.) 600lm
- Colour temperature 2700K, 3000K, 4000K
- Colour rendering index Ra $\geq$ 90
- MacAdam Step 3
- Beam Angle 24D, 36D, 45D PMMA Lens
- Tiltable Yes
- Ingress protection IP21
- Operation temperature 0-40C
- Protection Class III
- LED Life time 50,000h L70B10
- Finishing White/Black
- Construction Aluminum
- Installation Ceiling Recessed, Spring type
- Dimension 100x100mmx55mm(H)/Cutout 90x90mm
- LED Driver Remote
- Trimless version Yes, Please contact us in detail

### Electronic control gear

NON-DIM/Dimmable

**IDP** MP series

1-10V/0-10V/DALI

**IDP** SC series

Other brand is available upon request

### Light Distribution For 3000K

medium 36°			wide 44°		
h(m)	E(lx)	ø(m)	h(m)	E(lx)	ø(m)
1	955.6	ø0.81	1	738.7	ø0.83
2	238.9	ø1.62	2	184.7	ø1.67
3	106.2	ø2.43	3	82.08	ø2.51
4	59.73	ø3.24	4	46.17	ø3.34
5	38.23	ø4.06	5	29.55	ø4.17

\*\*Th

## SIMPLE/SPOT LIGHT/SQUARE/TWIN HEADS/GIMBLE

**Model: RR-DL3167**



### Feature:

- Twin heads design
- Gimble tilt 25 degree
- Low UGR

### Technical data:

- Light source COB or others
- LED Power (max) 7.2W x 2 (200mA x 2, 36V)
- System Power (ref.) 9Wx 2 (ref. only depends on the ECG)
- Lumen flux (typ.) 1200lm
- Colour temperature 2700K, 3000K, 4000K
- Colour rendering index Ra $\geq$ 90
- MacAdam Step 3
- Beam Angle 24D, 36D, 45D PMMA Lens
- Tilttable Yes
- Ingress protection IP21
- Operation temperature 0-40C
- Protection Class III
- LED Life time 50,000h L70B10
- Finishing White/Black
- Construction Aluminum
- Installation Ceiling Recessed, Spring type
- Dimension 185x100mmx55mm(H)/Cutout 175x90mm
- LED Driver Remote
- Trimless version Yes, please contact us in detail

### Electronic control gear

NON-DIM/Dimmable

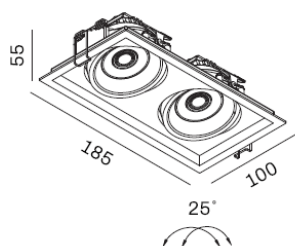
**IDP** MP series

1-10V/0-10V/DALI

**IDP** SC series

Other brand is available upon request

\*Use IDP multi-power LED Driver can trim down the output power according to actual application.



Cutout: 175x90mm

5-25mm

Light Distribution For 2700K  
wide 45°

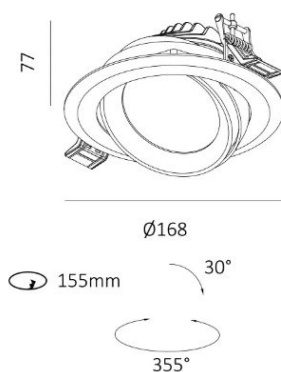
h(m)	E(lx)	ø(m)
1	1749	ø0.83
2	437.4	ø1.67
3	194.4	ø2.51
4	109.3	ø3.35
5	69.98	ø4.19

**\*\*The specification is subject to change without note.\*\***



## SIMPLE/SPOT LIGHT/TILTABLE

**Model: RR-DL3151**



### Feature:

- LED power up to 25W.
- Tiltable
- Low UGR

### Technical data:

- Light source COB or others
- LED Power (max) 25.2W (700mA, 36V)
- System Power (ref.) 30W (ref. only depends on the ECG)
- Lumen flux (typ.) 2500lm
- Colour temperature 2700K, 3000K, 4000K
- Colour rendering index Ra $\geq$ 90
- MacAdam Step 3
- Beam Angle 24D, 38D Reflector
- Tiltable Yes
- Ingress protection IP54
- Operation temperature 0-40C
- Protection Class III
- LED Life time 50,000h L70B10
- Finishing White/Black
- Construction Aluminum
- Installation Ceiling Recessed, Spring type
- Dimension 168mm(OD)x77mm(H)/Cutout 155mm
- LED Driver Remote
- Trimless version No

### Electronic control gear

NON-DIM/Dimmable **IDP** MP series

1-10V/0-10V/DALI **IDP** SC series

Other brand is available upon request

\*Use IDP multi-power LED Driver can trim down the output power according to actual application.

### LIGHT DISTRIBUTION for 3000K medium 36°

h(m)	E(lx)	Ø(m)
1	4420	Ø0.65
2	1105	Ø1.31
3	491.1	Ø1.96
4	276.2	Ø2.62
5	176.8	Ø3.28

**\*\*The specification is subject to change without note.\*\***

## SIMPLE/SPOT LIGHT/SQUARE/TILTABLE

**Model: SR-DL3139**



### Feature:

- LED power up to 25W.
- Tilttable with Square shape
- Low UGR

### Technical data:

- Light source COB or others
- LED Power (max) 25.2W (700mA, 36V)
- System Power (ref.) 30W (ref. only depends on the ECG)
- Lumen flux (typ.) 2500lm
- Colour temperature 2700K, 3000K, 4000K
- Colour rendering index  $Ra \geq 90$
- MacAdam Step 3
- Beam Angle 24D, 38D Reflector
- Tilttable Yes
- Ingress protection IP54
- Operation temperature 0-40C
- Protection Class III
- LED Life time 50,000h L70B10
- Finishing White/Black
- Construction Aluminum
- Installation Ceiling Recessed, Spring type
- Dimension 165x165mmx77mm(H)/Cutout 150x150mm
- LED Driver Remote
- Trimless version No

### Electronic control gear

NON-DIM/Dimmable **IDP** MP series

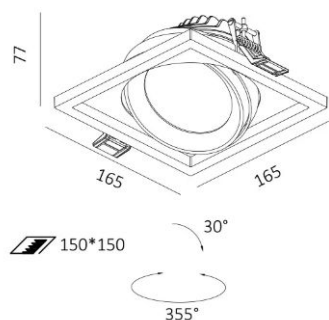
1-10V/0-10V/DALI **IDP** SC series

Other brand is available upon request

\*Use IDP multi-power LED Driver can trim down the output power according to actual application.

### LIGHT DISTRIBUTION for 3000K medium 36°

h(m)	E(lx)	Ø(m)
1	4420	Ø0.65
2	1105	Ø1.31
3	491.1	Ø1.96
4	276.2	Ø2.62
5	176.8	Ø3.28



**\*\*The specification is subject to change without note.\*\***

## SIMPLE/SPOT LIGHT/SQUARE/TWIN HEADS/TILTABLE

**Model: SR-DL3143**



### Feature:

- LED power up to 50W.
- Tilttable with twin heads
- Low UGR

### Technical data:

- Light source COB or others
- LED Power (max) 25.2Wx2 (700mAx2, 36V)
- System Power (ref.) 30Wx2 (ref. only depends on the ECG)
- Lumen flux (typ.) 5000lm
- Colour temperature 2700K, 3000K, 4000K
- Colour rendering index Ra $\geq$ 90
- MacAdam Step 3
- Beam Angle 24D, 38D Reflector
- Tilttable Yes
- Ingress protection IP54
- Operation temperature 0-40C
- Protection Class III
- LED Life time 50,000h L70B10
- Finishing White/Black
- Construction Aluminum
- Installation Ceiling Recessed, Spring type
- Dimension 331x165mmx77mm(H)/Cutout 315x150mm
- LED Driver Remote
- Trimless version No

### Electronic control gear

NON-DIM/Dimmable

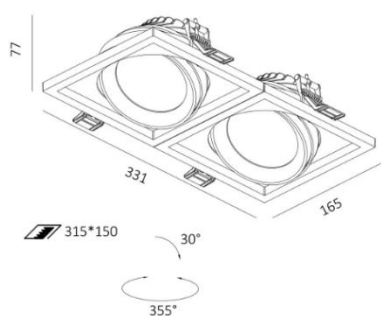
**IDP** MP series

1-10V/0-10V/DALI

**IDP** SC series

Other brand is available upon request

\*Use IDP multi-power LED Driver can trim down the output power according to actual application.



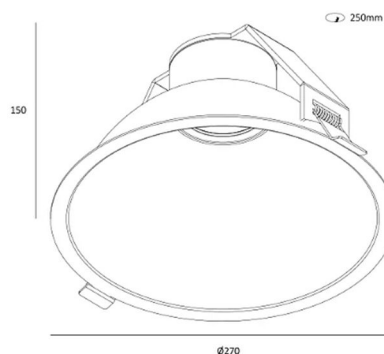
### LIGHT DISTRIBUTION for 3000K medium 36°

h(m)	E(lx)	Ø(m)
1	5514	Ø0.79
2	1879	Ø1.72
3	706	Ø2.58
4	315	Ø3.39
5	182	Ø4.28

\*\*The specification is subject to change without note.\*\*

## SIMPLE/SPOT LIGHT/FIXED/COMMERICAL

**Model: RR-DL3933**



### Feature:

- Deep recessed 10 inch downlight
- Simple design
- Light weight

### Technical data:

- Light source COB or others
- LED Power (max) 21.6W (600mA, 36V)
- System Power (ref.) 25W (ref. only depends on the ECG)
- Lumen flux (typ.) 2000lm
- Colour temperature 2700K, 3000K, 4000K
- Colour rendering index Ra $\geq$ 90
- MacAdam Step 3
- Beam Angle 24D, 36D, 60D PMMA Lens
- Tilttable No
- Ingress protection IP21
- Operation temperature 0-40C
- Protection Class III
- LED Life time 50,000h L70B10
- Finishing White/Black
- Construction Aluminum
- Installation Ceiling Recessed, Spring type
- Dimension 270mm(OD)x 150mm(H)/Cutout 250mm
- LED Driver Remote
- Trimless version No

### Electronic control gear

NON-DIM/Dimmable **IDP** MP series

1-10V/0-10V/DALI **IDP** SC series

Other brand is available upon request

\*Use IDP multi-power LED Driver can trim down the output power according to actual application.

### LIGHT DISTRIBUTION for 3000K medium 36°

h(m)	E(lx)	Ø(m)
1	2240.2	Ø0.72
2	568.3	Ø1.44
3	249.36	Ø2.17
4	89.58	Ø3.62
5	62.33	Ø4.34

**\*\*The specification is subject to change without note.\*\***

## SIMPLE/SPOT LIGHT/FIXED/COMMERICAL

**Model: RR-DL3540-1**



### Feature:

- Deep recessed downlight
- Simple design with 6" and 8" trim ring.
- Screw mount with IP54 rating

### Technical data:

- Light source COB or others
- LED Power (max) 18W (500mA, 36V)
- System Power (ref.) 21W (ref. only depends on the ECG)
- Lumen flux (typ.) 1700lm
- Colour temperature 2700K, 3000K, 4000K
- Colour rendering index  $Ra \geq 90$
- MacAdam Step 3
- Beam Angle 15D, 24D, 36D, 60D PMMA Lens
- Tilttable No
- Ingress protection IP54
- Operation temperature 0-40C
- Protection Class III
- LED Life time 50,000h L70B10
- Finishing White/Black
- Buffle Finishing White/Black
- Construction Aluminum
- Installation Ceiling Recessed, Screw mount
- Dimension 158mm(OD)x96mm(H)/Cutout 145mm  
198mm(OD)x96mm(H)/Cutout 150-190mm
- LED Driver Remote
- Trimless version No

### Electronic control gear

NON-DIM/Dimmable

**IDP** MP series

1-10V/0-10V/DALI

**IDP** SC series

Other brand is available upon request

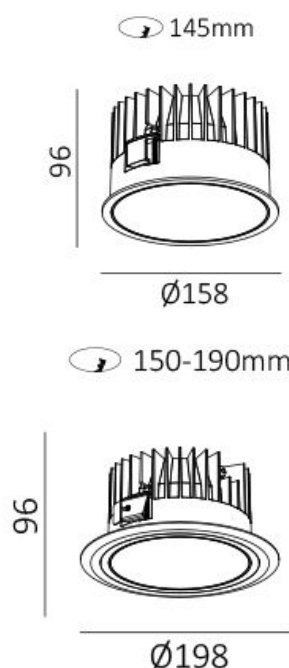
\*Use IDP multi-power LED Driver can trim down the output power according to actual application.

### LIGHT DISTRIBUTION for 3000K

wide 57°

h(m)	E(lx)	Ø(m)
1	2090	Ø1.08
2	522.5	Ø2.17
3	232.2	Ø3.27
4	130.6	Ø4.36
5	83.60	Ø5.45

**\*\*The specification is subject to change without note.\*\***



## SIMPLE/SPOT LIGHT/FIXED/COMMERICAL

**Model: RR-DL3541-1**



### Feature:

- Deep recessed downlight
- Simple design with 8" and 10" trim ring.
- Screw mount with IP54 rating

### Technical data:

- |                          |  |
|--------------------------|--|
| ▪ Light source           | COB or others  |
| ▪ LED Power (max)        | 25.2W (700mA, 36V)   |
| ▪ System Power (ref.)    | 30W (ref. only depends on the ECG)                                     |
| ▪ Lumen flux (typ.)      | 2250lm   |
| ▪ Colour temperature     | 2700K, 3000K, 4000K  |
| ▪ Colour rendering index | Ra $\geq$ 90   |
| ▪ MacAdam Step           | 3  |
| ▪ Beam Angle             | 15D, 24D, 36D, 60D PMMA Lens   |
| ▪ Tiltale                | No   |
| ▪ Ingress protection     | IP54   |
| ▪ Operation temperature  | 0-40C  |
| ▪ Protection Class       | III  |
| ▪ LED Life time          | 50,000h L70B10   |
| ▪ Finishing              | White/Black  |
| ▪ Buffle Finishing       | White/Black  |
| ▪ Construction           | Aluminum   |
| ▪ Installation           | Ceiling Recessed, Screw mount  |
| ▪ Dimension              | 180mm(OD)x109mm(H)/Cutout 165mm<br>220mm(OD)x109mm(H)/Cutout 165-220mm |
| ▪ LED Driver             | Remote   |
| ▪ Trimless version       | No   |

### Electronic control gear

NON-DIM/Dimmable

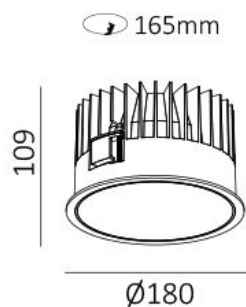
**IDP** MP series

1-10V/0-10V/DALI

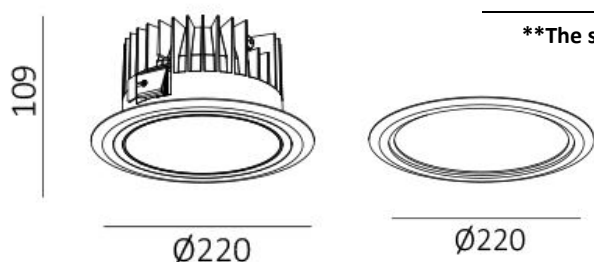
**IDP** SC series

Other brand is available upon request

\*Use IDP multi-power LED Driver can trim down the output power according to actual application.



165-210mm



### LIGHT DISTRIBUTION for 3000K wide 57°

h(m)	E(lx)	Ø(m)
1	2717	Ø1.08
2	679.3	Ø2.16
3	304.9	Ø3.24
4	169.8	Ø4.32
5	108.7	Ø5.40

**\*\*The specification is subject to change without note.\*\***

## SIMPLE/SPOT LIGHT/TILTABLE/COMMERICAL

**Model: RR-DL3380**



### Feature:

- Front Removable
- Compact design with 18W LED Power
- Tiltable

### Technical data:

- Light source COB or others
- LED Power (max) 18W (500mA, 36V)
- System Power (ref.) 21W (ref. only depends on the ECG)
- Lumen flux (typ.) 1450lm
- Colour temperature 2700K, 3000K, 4000K
- Colour rendering index Ra $\geq$ 90
- MacAdam Step 3
- Beam Angle 17D, 24D, 36D Reflector
- Tiltable Yes
- Ingress protection IP54
- Operation temperature 0-40C
- Protection Class III
- LED Life time 50,000h L70B10
- Finishing White/Black
- Construction Aluminum
- Installation Ceiling Recessed, Spring type
- Dimension 95mm(OD)x86mm(H)/Cutout 85mm
- LED Driver Remote
- Trimless version No

### Electronic control gear

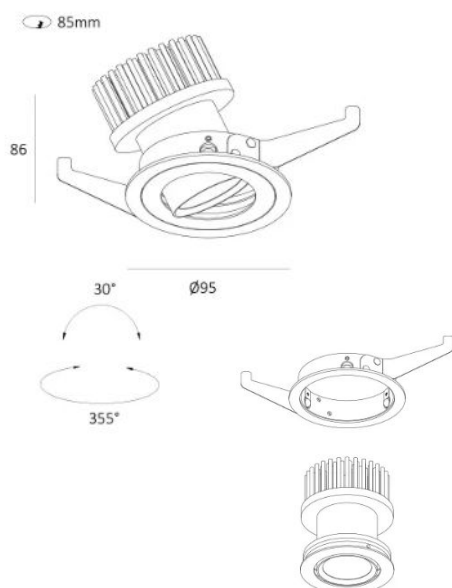
NON-DIM/Dimmable

**IDP** MP series

1-10V/0-10V/DALI

**IDP** SC series

Other brand is available upon request



LIGHT DISTRIBUTION for 2700K  
wide 24.1°

h(m)	E(lx)	Ø(m)
1	7369	Ø0.43
2	1842	Ø0.85
3	818.8	Ø1.27
4	460.6	Ø1.70
5	294.8	Ø2.12

**\*\*Accessory (optional): Honeycomb, Diffuser\*\***

**\*\*The specification is subject to change without note.\*\***