

SPOT/CYLINDAR/SLIM/SURFACE MOUNT/TWIN HEADS

Model: SU-SD3152

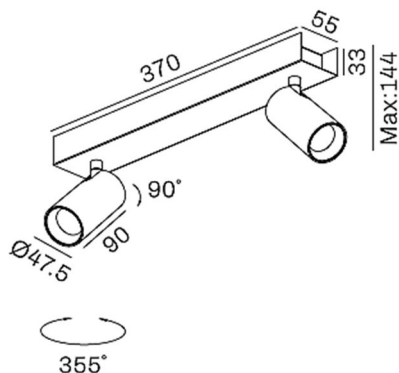


Feature:

- Twin heads surface mount cylinder spot light
- 355 degree rotate and 90 degree tilt
- Interchangeable baffle

Technical data:

- Light source COB or others
- LED Power (max) 7.2W x 2 (200mA, 36V)
- System Power (ref.) 9W x 2 (ref. only depends on the ECG)
- Lumen flux (typ.) 650lm x 2
- Colour temperature 2700K, 3000K, 4000K
- Colour rendering index Ra \geq 90
- MacAdam Step 3
- Beam Angle 20D, 40D, 60D Reflector
- Tiltable Yes
- Ingress protection IP21
- Operation temperature 0-40C
- Protection Class III
- LED Life time 50,000h L70B10
- Finishing White/Black
- Baffle Finishing White/Black/silver grey/sand brass
- Construction Aluminum
- Installation Surface mount
- Dimension Refer to drawing
- LED Driver Build in
- Trimless version No



Electronic control gear

Build in LED driver

Light Distribution For 2700K
medium 24,5°

h(m)	E(lx)	\varnothing (m)
1	4656	$\varnothing 0.43$
2	1164	$\varnothing 0.87$
3	517.3	$\varnothing 1.30$
4	291.0	$\varnothing 1.74$
5	186.2	$\varnothing 2.17$

****The specification is subject to change without note.****