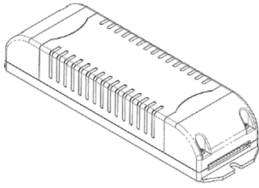


46W 1050mA In-Door Settable Current LED Driver (compact type)

Product Offering



Order part number:
SCA-AD-046W-1A05-A-PV-20-C

Product Description:

- Output current selectable by Dip-Switch with 8 levels selection and flickering Free
- Standby power $\leq 0.5W$ ⁽¹⁾
- AUX 12V output for drive other control module
- Dimming interface: 0-10V/1-10V; PWM ⁽²⁾
- Nominal life 50,000hrs (at tc 65 °C with a failure rate <0.2% per 1,000hrs)

Feature:

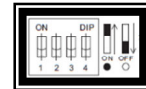
- High efficiency with PF>0.95 and low THD <15% (typ.10%)
- Flickering free
- 0-10V/1-10V or PWM dimming interface ⁽²⁾
- Fully protected: Short circuit, input voltage surge, overvoltage protection, over-temperature protection

Technical Data

Rated supply voltage, AC	220-240 Vac, 50/60Hz
AC Voltage range, AC	90-267 Vac, 50/60Hz
Survive input range (for 30mins)	265-305 Vac, 50/60Hz
DC Voltage Range, DC	176-276V
Rated current @230Vac (with AUX)	<0.45A
Leakage current @240Vac	<0.5mA@240Vac
Max. input power (with AUX)	55W
Typ. efficiency (at 230V 50Hz, full load)	Typ. 89%
Inrush current (at cold start, full load @230V)	<20A (T-width <100µs)
Typ. λ (at 230 V 50Hz, Full load)	>0.95
Typ. λ (at 230 V 50Hz, Min. load)	>0.7
Turn on time (at 230V 50Hz, full load)	<0.5s (without dimming signal)
Output rated power	46.2W@1050mA, 44Vdc
Output current (selectable; $\pm 5\%$)	700...1050mA (refer to current selection table)
Output Voltage (dc)	20-44V
Output ripple current (100Hz)	< 5% (typ.)
DC AUX output	12V (1.5W max)
Dimming interface	0-10V/1-10V; PWM (10V@100-3kHz)
Dimming level range	0%, 10-100%
Surge Voltage	light industry level (surge 2KV)
Ambient temperature ta	-15 ... +50 °C
Max. Casing temperature tc	80 °C
Size (mm)	175x49.5x31
Weight	270g

Output Current Selection Table

Output current selector



Current selection (8 levels)

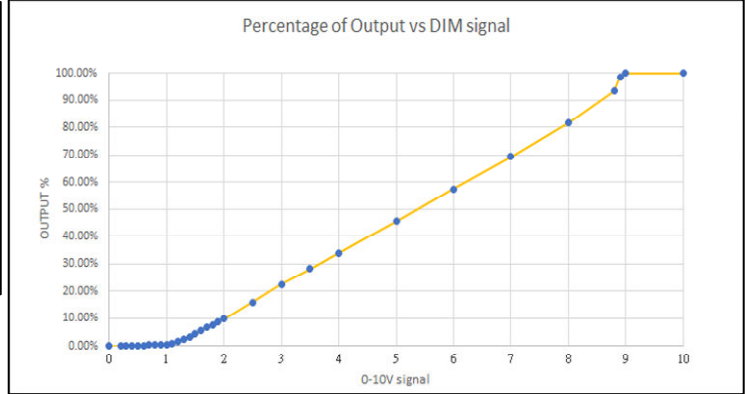
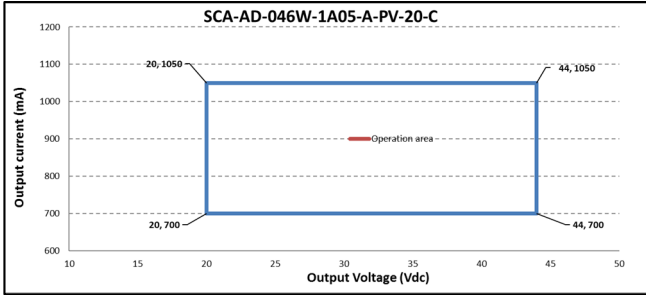
Output current ($\pm 5\%$)	Output Voltage range (Vdc)		Output Current Selector			
			1	2	3	4
1050mA	20	44	○	●	○	○
1000mA	20	44	○	●	○	●
950mA	20	44	○	●	●	○
900mA	20	44	○	●	●	●
850mA	20	44	●	○	○	○
800mA	20	44	●	○	○	●
750mA	20	44	●	○	●	○
700mA	20	44	●	○	●	●

Standard comply

EN55015; EN61000-3-2; EN61000-3-3; EN61547;
EN61347-1; EN61347-2-13; SELV

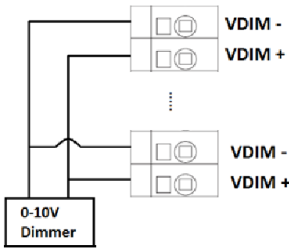
46W 1050mA In-Door Settable Current LED Driver (compact type)

Operation Output Diagram:



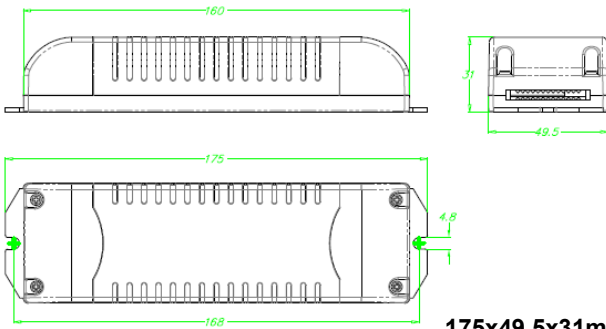
The above curve is for reference only and not represent the actual value.

Dimming cable diagram:



0-10V/1-10V/PWM

Dimension and Product label:



IDP IDP Power Technology Ltd.
www.idppowertech.com

Dimmable constant current LED power supply
Series number: SCA-Series
Model number: SCA-AD-046W-1A05-A-PV-20-C

Input: 100-240VAC 50/60Hz
Output Current: 700-1050mA DC
Output Voltage: 20-44V
ta: -25...+50°C
tc: +80°C

Maximum Output Power	Output Current	Output Current Selector			
		1	2	3	4
46.2W	1050mA	●	○	○	○
44.0W	1000mA	○	●	○	○
41.8W	950mA	○	○	●	○
39.6W	900mA	○	○	○	●
37.4W	850mA	○	○	○	○
35.2W	800mA	○	○	○	○
33.0W	750mA	○	○	○	○
30.8W	700mA	○	○	○	○

46W WARNING: Please make sure the correct current is selected before starting.

IP20 SELV

Remark:

- (1) Not included the AUX 12V output power.
- (2) Please ask sale department in detail if use PWM signal dimming.
- (3) The specification is subject to change without notes.