

LED LIGHTING

CATALOGUE

VER. 01



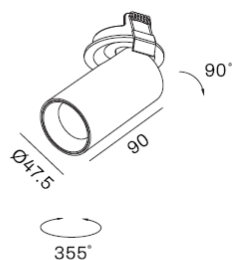
SPOT

CYLINDER series is a range of ceiling mount lighting fixture. The cylinder and cup shape provide simple and stylish style.

Litesyn
Your Luminaire craftsman

SPOT/CYLINDAR/RECESSED/TILTABLE

Model: RR-DL3181



↻ Cutout: 52mm

≡ 5-25mm

Feature:

- Recessed slim cylinder spot light
- 355 degree rotate and 90 degree tilt
- Interchangeable baffle

Technical data:

- Light source COB or others
- LED Power (max) 7.2W (200mA, 36V)
- System Power (ref.) 9W (ref. only depends on the ECG)
- Lumen flux (typ.) 650lm
- Colour temperature 2700K, 3000K, 4000K
- Colour rendering index Ra \geq 90
- MacAdam Step 3
- Beam Angle 20D, 40D, 60D Reflector
- Tilttable Yes
- Ingress protection IP21
- Operation temperature 0-40C
- Protection Class III
- LED Life time 50,000h L70B10
- Finishing White/Black
- Baffle Finishing White/Black/silver grey/sand brass
- Construction Aluminum
- Installation Ceiling Recessed, Spring type
- Dimension 47.5mm(OD)x90mm(H)/Cutout 52mm
- LED Driver Remote
- Trimless version No

Electronic control gear

NON-DIM/Dimmable

IDP MP series

1-10V/0-10V/DALI

IDP SC series

Other brand is available upon request

*Use IDP multi-power LED Driver can trim down the output power according to actual application.

Light Distribution For 3000K
wide 38°

h(m)	E(lx)	ø(m)
1	717.5	ø0.64
2	179.4	ø1.28
3	79.72	ø1.93
4	44.84	ø2.57
5	28.70	ø3.21

****The specification is subject to change without note.****

SPOT/CYLINDAR/SLIM/SURFACE MOUNT/ROUND BASE

Model: SU-DL3049



Feature:

- Surface Mount cylinder spot light
- 355 degree rotate and 90 degree tilt
- Interchangeable baffle

Technical data:

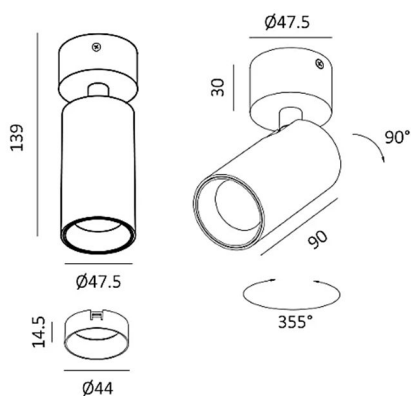
▪ Light source	AC COB
▪ LED Power (max)	NA
▪ System Power (ref.)	220Vac, 10W (ref. only depends on the ECG)
▪ Lumen flux (typ.)	600lm
▪ Colour temperature	2700K, 3000K, 4000K
▪ Colour rendering index	Ra≥90
▪ MacAdam Step	3
▪ Beam Angle	20D, 40D, 60D Reflector
▪ Tilttable	Yes
▪ Ingress protection	IP21
▪ Operation temperature	0-40C
▪ Protection Class	III
▪ LED Life time	50,000h L70B10
▪ Finishing	White/Black
▪ Baffle Finishing	White/Black/silver grey/sand brass
▪ Construction	Aluminum
▪ Installation	Surface mount
▪ Dimension	47.5mm(OD)x139mm(H)
▪ LED Driver	NA
▪ Trimless version	No

Electronic control gear

NO ECG need

Light Distribution For 3000K
medium 23°

h(m)	E(lx)	ø(m)
1	1660	ø0.39
2	415.1	ø0.79
3	184.5	ø1.19
4	103.8	ø1.59
5	66.41	ø1.98



****The specification is subject to change without note.****

****ECG version is available per request****

SPOT/CYLINDAR/SLIM/SURFACE MOUNT/SQUARE BASE

Model: SU-SD3043



Feature:

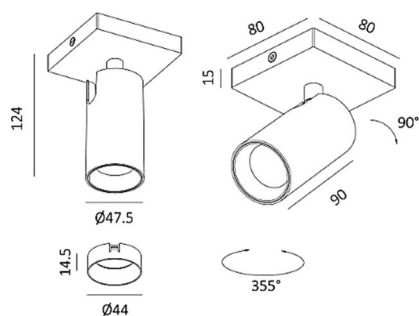
- Surface Mount cylinder spot light
- 355 degree rotate and 90 degree tilt
- Interchangeable baffle

Technical data:

- Light source AC COB
- LED Power (max) NA
- System Power (ref.) 220Vac, 10W (ref. only depends on the ECG)
- Lumen flux (typ.) 600lm
- Colour temperature 2700K, 3000K, 4000K
- Colour rendering index $Ra \geq 90$
- MacAdam Step 3
- Beam Angle 20D, 40D, 60D Reflector
- Tilttable Yes
- Ingress protection IP21
- Operation temperature 0-40C
- Protection Class III
- LED Life time 50,000h L70B10
- Finishing White/Black
- Baffle Finishing White/Black/silver grey/sand brass
- Construction Aluminum
- Installation Surface mount
- Dimension 47.5mm(OD)x124mm(H)
- LED Driver NA
- Trimless version No

Electronic control gear

NO ECG need



Light Distribution For 3000K
medium 23°

h(m)	E(lx)	\varnothing (m)
1	1660	$\varnothing 0.39$
2	415.1	$\varnothing 0.79$
3	184.5	$\varnothing 1.19$
4	103.8	$\varnothing 1.59$
5	66.41	$\varnothing 1.98$

****The specification is subject to change without note.****

****ECG version is available per request****

SPOT/CYLINDAR/SLIM/SURFACE MOUNT/TWIN HEADS

Model: SU-SD3152

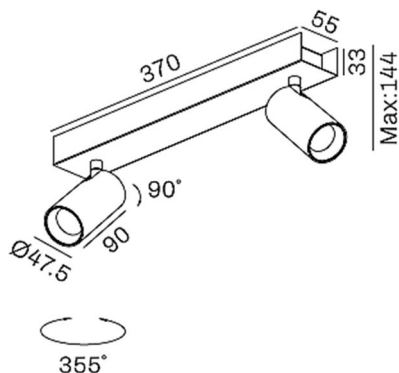


Feature:

- Twin heads surface mount cylinder spot light
- 355 degree rotate and 90 degree tilt
- Interchangeable baffle

Technical data:

- Light source COB or others
- LED Power (max) 7.2W x 2 (200mA, 36V)
- System Power (ref.) 9W x 2 (ref. only depends on the ECG)
- Lumen flux (typ.) 650lm x 2
- Colour temperature 2700K, 3000K, 4000K
- Colour rendering index Ra \geq 90
- MacAdam Step 3
- Beam Angle 20D, 40D, 60D Reflector
- Tiltable Yes
- Ingress protection IP21
- Operation temperature 0-40C
- Protection Class III
- LED Life time 50,000h L70B10
- Finishing White/Black
- Baffle Finishing White/Black/silver grey/sand brass
- Construction Aluminum
- Installation Surface mount
- Dimension Refer to drawing
- LED Driver Build in
- Trimless version No



Electronic control gear

Build in LED driver

Light Distribution For 2700K
medium 24,5°

h(m)	E(lx)	Ø(m)
1	4656	Ø0.43
2	1164	Ø0.87
3	517.3	Ø1.30
4	291.0	Ø1.74
5	186.2	Ø2.17

****The specification is subject to change without note.****

SPOT/CYLINDAR/SLIM/SURFACE MOUNT/TRIPLE HEADS

Model: SU-SD3153



Feature:

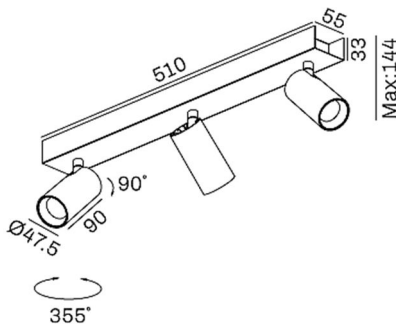
- Triple heads surface mount cyclinder spot light
- 355 degree rotate and 90 degree tilt
- Interchangeable baffle

Technical data:

- Light source COB or others
- LED Power (max) 7.2W x 3 (200mA, 36V)
- System Power (ref.) 9W x 3 (ref. only depends on the ECG)
- Lumen flux (typ.) 650lm x 3
- Colour temperature 2700K, 3000K, 4000K
- Colour rendering index $Ra \geq 90$
- MacAdam Step 3
- Beam Angle 20D, 40D, 60D Reflector
- Tiltable Yes
- Ingress protection IP21
- Operation temperature 0-40C
- Protection Class III
- LED Life time 50,000h L70B10
- Finishing White/Black
- Baffle Finishing White/Black/silver grey/sand brass
- Construction Aluminum
- Installation Surface mount
- Dimension Refer to drawing
- LED Driver Build in
- Trimless verison No

Electronic control gear

Build in LED driver



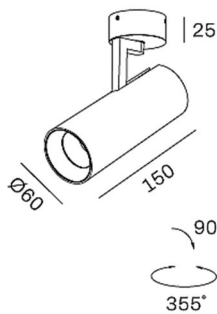
Light Distribution For 2700K
wide 36°

h(m)	E(lx)	ø(m)
1	1932	ø0.64
2	482.9	ø1.28
3	214.6	ø1.92
4	120.7	ø2.57
5	77.27	ø3.21

****The specification is subject to change without note.****

SPOT/CYLINDAR/SLIM/SURFACE MOUNT

Model: SU-DL3045



Feature:

- Surface Mount cylinder spot light
- 355 degree rotate and 90 degree tilt
- Stylish shape bracket

Technical data:

- Light source AC COB
- LED Power (max) NA
- System Power (ref.) 220Vac, 15W (ref. only depends on the ECG)
- Lumen flux (typ.) 950lm
- Colour temperature 2700K, 3000K, 4000K
- Colour rendering index $Ra \geq 90$
- MacAdam Step 3
- Beam Angle 15D, 38D, 60D Reflector
- Tilttable Yes
- Ingress protection IP21
- Operation temperature 0-40C
- Protection Class III
- LED Life time 50,000h L70B10
- Finishing White/Black
- Baffle Finishing White/Black/silver grey/sand brass
- Construction Aluminum
- Installation Surface mount
- Dimension 60mm(OD)x175mm(H)
- LED Driver NA
- Trimless version No

Electronic control gear

NO ECG need

Light Distribution For 3000K
wide 36°

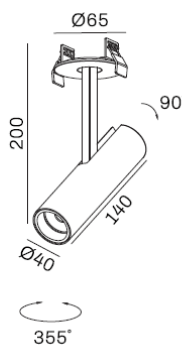
h(m)	E(lx)	ø(m)
1	1700	ø0.67
2	425.0	ø1.35
3	188.9	ø2.03
4	106.2	ø2.70
5	68.00	ø3.38

****Build in LED driver version also available****

****The specification is subject to change without note.****

SPOT/CYLINDAR/SLIM/RECESSED

Model: RR-DL3639



↻ Cutout: 55mm

≡ 5-25mm

Feature:

- Recessed ultra slim cylinder spot light
- 355 degree rotate and 90 degree tilt
- Interchangeable baffle

Technical data:

- | | |
|--------------------------|---|
| ▪ Light source | COB or others |
| ▪ LED Power (max) | 12.6W (350mA, 36V) |
| ▪ System Power (ref.) | 15W <small>(ref. only depends on the ECG)</small> |
| ▪ Lumen flux (typ.) | 900lm |
| ▪ Colour temperature | 2700K, 3000K, 4000K |
| ▪ Colour rendering index | Ra≥90 |
| ▪ MacAdam Step | 3 |
| ▪ Beam Angle | 20D, 36D, 50D |
| ▪ Tilttable | Yes |
| ▪ Ingress protection | IP21 |
| ▪ Operation temperature | 0-40C |
| ▪ Protection Class | III |
| ▪ LED Life time | 50,000h L70B10 |
| ▪ Finishing | White/Black |
| ▪ Baffle Finishing | White/Black/silver grey/brushed bronze |
| ▪ Construction | Aluminum |
| ▪ Installation | Ceiling Recessed, Spring type |
| ▪ Dimension | 40mm(OD)x140mm(H)/Cutout 55mm |
| ▪ LED Driver | Remote |
| ▪ Trimless version | No |

Electronic control gear

NON-DIM/Dimmable

IDP MP series

1-10V/0-10V/DALI

IDP SC series

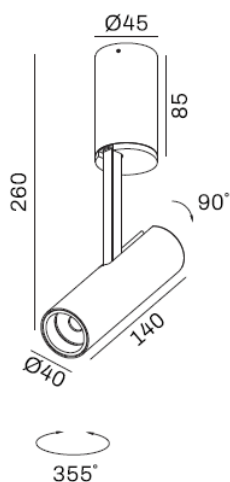
Other brand is available upon request

*Use IDP multi-power LED Driver can trim down the output power according to actual application.

****The specification is subject to change without note.****

SPOT/CYLINDAR/SLIM/SURFACE MOUNT

Model: SU-SD3154



Feature:

- Recessed ultra slim cylinder spot light
- 355 degree rotate and 90 degree tilt
- Interchangeable baffle

Technical data:

- Light source COB or others
- LED Power (max) 12.6W (350mA, 36V)
- System Power (ref.) 15W (ref. only depends on the ECG)
- Lumen flux (typ.) 900lm
- Colour temperature 2700K, 3000K, 4000K
- Colour rendering index $Ra \geq 90$
- MacAdam Step 3
- Beam Angle 20D, 36D, 50D
- Tiltable Yes
- Ingress protection IP21
- Operation temperature 0-40C
- Protection Class III
- LED Life time 50,000h L70B10
- Finishing White/Black
- Baffle Finishing White/Black/silver grey/brushed bronze
- Construction Aluminum
- Installation Surface mount
- Dimension 40mm(OD)x 260mm(H)
- LED Driver Build in
- Trimless version No

Electronic control gear

Build in On/Off LED driver
(dimmable LED driver is on request)

Light Distribution For 2700K
spot 21°

h(m)	E(lx)	ø(m)
1	2172	ø0.37
2	543.1	ø0.75
3	241.4	ø1.12
4	135.8	ø1.49
5	86.90	ø1.87

****The specification is subject to change without note.****

SPOT/CYLINDAR/CUP/RECESSED

Model: RR-DL3142



Feature:

- Recessed CUP Shape spot light
- 355 degree rotate and 40 degree tilt
- Interchangeable baffle

Technical data:

- Light source COB or others
- LED Power (max) 7.2W (200mA, 36V)
- System Power (ref.) 9W (ref. only depends on the ECG)
- Lumen flux (typ.) 500lm
- Colour temperature 2700K, 3000K, 4000K
- Colour rendering index Ra \geq 90
- MacAdam Step 3
- Beam Angle 36D Reflector
- Tiltable Yes
- Ingress protection IP21
- Operation temperature 0-40C
- Protection Class III
- LED Life time 50,000h L70B10
- Finishing White/Black/Brushed Brass/Wood
- Baffle Finishing White/Black
- Construction Aluminum
- Installation Ceiling Recessed, Spring type
- Dimension 60mm(OD)x78mm(H)/Cutout 62mm
- LED Driver Remote
- Trimless version No

Electronic control gear

NON-DIM/Dimmable

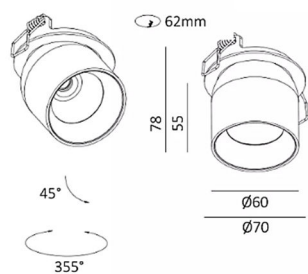
IDP MP series

1-10V/0-10V/DALI

IDP SC series

Other brand is available upon request

*Use IDP multi-power LED Driver can trim down the output power according to actual application.



Light Distribution For 2700K
wide 37.7°

h(m)	E(lx)	ø(m)
1	1212	ø0.68
2	303.0	ø1.37
3	134.7	ø2.05
4	75.76	ø2.73
5	48.49	ø3.42

****The specification is subject to change without note.****

SPOT/CYLINDAR/CUP/SURFACE MOUNT

Model: SU-SD3079



Feature:

- Surface mount CUP Shape spot light
- 355 degree rotate and 40 degree tilt
- Interchangeable baffle

Technical data:

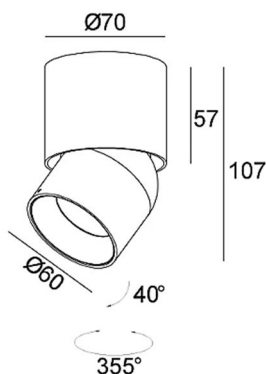
- Light source COB or others
- LED Power (max) 7.2W (200mA, 36V)
- System Power (ref.) 9W (ref. only depends on the ECG)
- Lumen flux (typ.) 500lm
- Colour temperature 2700K, 3000K, 4000K
- Colour rendering index Ra \geq 90
- MacAdam Step 3
- Beam Angle 36D Reflector
- Tiltable Yes
- Ingress protection IP21
- Operation temperature 0-40C
- Protection Class III
- LED Life time 50,000h L70B10
- Finishing White/Black/Brushed Brass/Wood
- Baffle Finishing White/Black
- Construction Aluminum
- Installation Surface mount
- Dimension 60mm(OD)x107mm(H)
- LED Driver Build in
- Trimless version no

Electronic control gear

Build in on/off LED driver

Light Distribution For 2700K
wide 37.7°

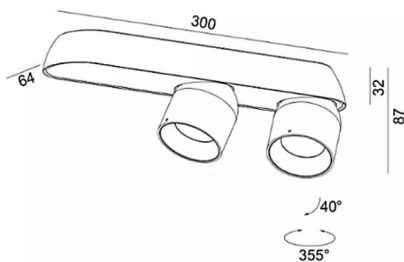
h(m)	E(lx)	ø(m)
1	1212	ø0.68
2	303.0	ø1.37
3	134.7	ø2.05
4	75.76	ø2.73
5	48.49	ø3.42



****The specification is subject to change without note.****

SPOT/CYLINDAR/CUP/SURFACE MOUNT/TWIN HEADS

Model: SU-SD3050



Feature:

- Surface mount TWIN CUP Shape spot light
- 355 degree rotate and 40 degree tilt
- Interchangeable baffle

Technical data:

- Light source COB or others
- LED Power (max) 7.2W x 2 (200mA x 2, 36V)
- System Power (ref.) 9W x 2 (ref. only depends on the ECG)
- Lumen flux (typ.) 1000lm
- Colour temperature 2700K, 3000K, 4000K
- Colour rendering index Ra \geq 90
- MacAdam Step 3
- Beam Angle 36D Reflector
- Tiltable Yes
- Ingress protection IP21
- Operation temperature 0-40C
- Protection Class III
- LED Life time 50,000h L70B10
- Finishing White/Black/Brushed Brass
- Baffle Finishing White/Black
- Construction Aluminum
- Installation Surface mount
- Dimension 300x64x87mm
- LED Driver Build in
- Trimless version No

Electronic control gear

Build in on/off LED driver

Light Distribution For 3000K
medium 36°

h(m)	E(lx)	ø(m)
1	2895	ø0.63
2	714.4	ø1.28
3	311.0	ø1.93
4	178.1	ø2.57
5	109.0	ø3.22

****The specification is subject to change without note.****

SPOT/CYLINDAR/CUP/SURFACE MOUNT/TRIPLE HEADS

Model: SU-SD3051

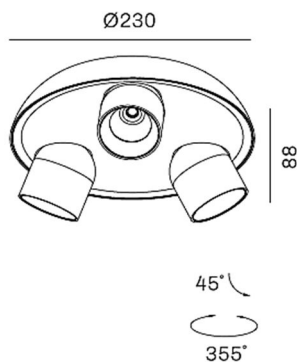


Feature:

- Surface mount TRIPLE CUP Shape spot light
- 355 degree rotate and 40 degree tilt
- Interchangeable baffle

Technical data:

- | | |
|--------------------------|---------------------------------------|
| ▪ Light source | COB or others |
| ▪ LED Power (max) | 7.2W x 3 (200mA x 3, 36V) |
| ▪ System Power (ref.) | 9W x 3 (ref. only depends on the ECG) |
| ▪ Lumen flux (typ.) | 1500lm |
| ▪ Colour temperature | 2700K, 3000K, 4000K |
| ▪ Colour rendering index | Ra≥90 |
| ▪ MacAdam Step | 3 |
| ▪ Beam Angle | 36D Reflector |
| ▪ Tilttable | Yes |
| ▪ Ingress protection | IP21 |
| ▪ Operation temperature | 0-40C |
| ▪ Protection Class | III |
| ▪ LED Life time | 50,000h L70B10 |
| ▪ Finishing | White/Black |
| ▪ Baffle Finishing | White/Black/Silver Grey/Sand Brass |
| ▪ Construction | Aluminum |
| ▪ Installation | Surface mount |
| ▪ Dimension | 230mm(OD)x88mm(H) |
| ▪ LED driver | Build in |
| ▪ Trimless version | No |



Electronic control gear

Build in on/off LED driver

Light Distribution For 3000K
medium 36°

h(m)	E(lx)	ø(m)
1	4342	ø0.64
2	1074	ø1.29
3	472.2	ø1.93
4	261.0	ø2.58
5	161.2	ø3.22

****The specification is subject to change without note.****

SPOT/CYLINDAR/CUP/SURFACE MOUNT/QUATER HEADS

Model: SU-SD3052

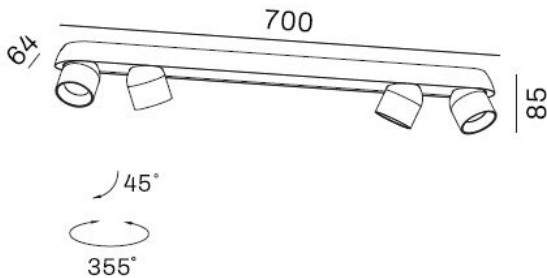


Feature:

- Surface mount QUATER CUP Shape spot light
- 355 degree rotate and 40 degree tilt
- Interchangeable baffle

Technical data:

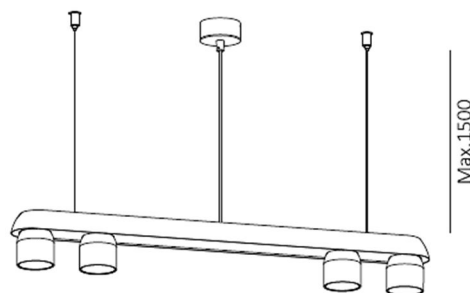
- | | |
|--------------------------|---------------------------------------|
| ▪ Light source | COB or others |
| ▪ LED Power (max) | 7.2W x 4 (200mA x 4, 36V) |
| ▪ System Power (ref.) | 9W x 4 (ref. only depends on the ECG) |
| ▪ Lumen flux (typ.) | 2000lm |
| ▪ Colour temperature | 2700K, 3000K, 4000K |
| ▪ Colour rendering index | Ra≥90 |
| ▪ MacAdam Step | 3 |
| ▪ Beam Angle | 36D Reflector |
| ▪ Tilttable | Yes |
| ▪ Ingress protection | IP21 |
| ▪ Operation temperature | 0-40C |
| ▪ Protection Class | III |
| ▪ LED Life time | 50,000h L70B10 |
| ▪ Finishing | White/Black |
| ▪ Baffle Finishing | White/Black/Silver Grey/Sand Brass |
| ▪ Construction | Aluminum |
| ▪ Installation | Surface mount |
| ▪ Dimension | 700x64x85mm |
| ▪ LED Driver | Build in |
| ▪ Trimless version | No |



Electronic control gear

Build in on/off LED driver
(phase cut LED driver is on request)

****The specification is subject to change without note.****



Suspended version is available