

TRIMLESS/SPOT LIGHT/FIXED/ANTI-GLARE

Model: RR-DL3571



Feature:

- Ceiling Recessed, Trimless kit type
- Stylish Arc appearance
- Anti-glare design

Technical data:

▪ Light source	Citizen COB or others
▪ LED Power (max)	12.6W (350mA, 36V)
▪ System Power (ref.)	15W <small>(ref. only depends on the ECG)</small>
▪ Lumen flux (typ.)	1000lm
▪ Colour temperature	2700K, 3000K, 4000K
▪ Colour rendering index	Ra \geq 90
▪ MacAdam Step	3
▪ Beam Angle	24D, 36D
▪ Tiltable	No
▪ Ingress protection	IP44
▪ Operation temperature	0-40C
▪ Protection Class	III
▪ LED Lifetime	50,000h L70B10
▪ Finishing	White RAL9003/Black RAL9005
▪ Construction	Aluminum
▪ Installation	Trimless , Ceiling Recessed
▪ Dimension	70mm(OD)x107mm(H)/Cutout 78mm
▪ LED Driver	Remote

Electronic control gear

NON-DIM/Dimmable

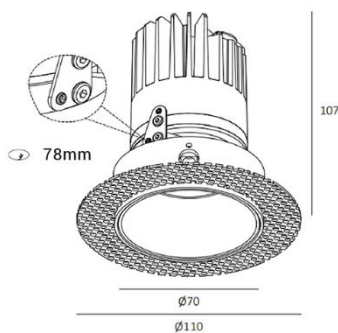
IDP MP series

1-10V/0-10V/DALI

IDP SC series

Other brand is available upon request

*Use IDP multi-power LED Driver can trim down the output power according to actual application.



****The specification is subject to change without note.****